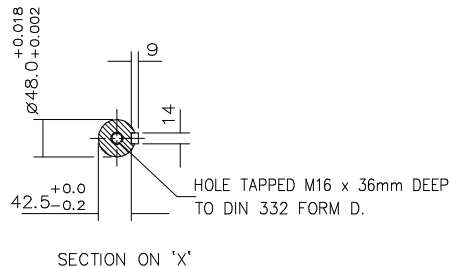
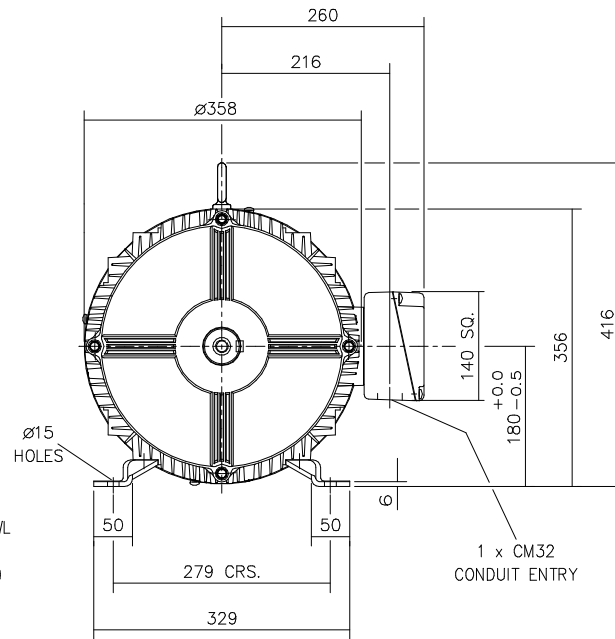
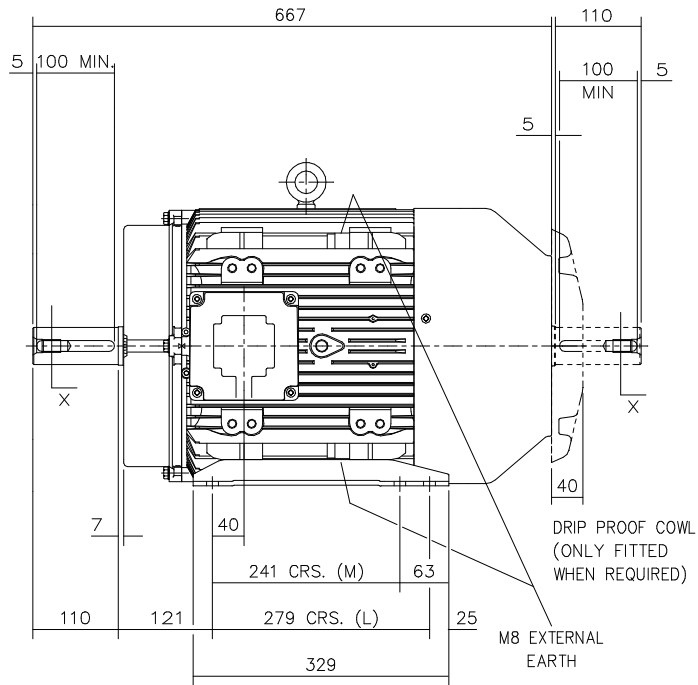


DRG. No. W30GF000/2

DRG. REF.



DRAIN HOLES:- WHEN TERMINAL BOX IS MOVED FROM STANDARD POSITION THEY WILL NEED TO BE PLUGGED AND RE-LOCATED ELSEWHERE - IF REQUIRED  
 TERMINAL BOX POSITION : - CAN BE ARRANGED AT EITHER 9, 12 OR 3 O'CLOCK BY MOVING FEET.  
 STANDARD TERMINAL BOX POSITION IS 3 O'CLOCK AS SHOWN.  
 CONDUIT ENTRIES:- TERMINAL BOX CAN BE ROTATED AT 90° INTERVALS (CONDUIT ENTRY POSITION SHOWN FOR ILLUSTRATION ONLY).

CUSTOMER		
ORDER No.		
PART No.		
OUR ORDER No.		
FRAME SIZE		
KW.	RPM.	
Hz	PHASE	
VOLTS	POLES	
BRGS.	DE.	NDE.
MOTOR NETT WT.	Kg.	
SPECIAL REMARKS		

ALL DIMENSIONS IN MILLIMETRES.



**BROOK CROMPTON**

Huddersfield, HD1 3LJ ENGLAND

SHEET SIZE	TITLE
A3	OUTLINE DIMENSION DRAWING W ALUMINIUM TOTALLY ENCLOSED FAN COOLED 180M/L FRAME FOOT MOUNTED MOTOR

	NAME	DATE
DRAWN	JWD	13-03-96
CHECKED	MI	13-03-96
SCALE	1 : 6	

DRG. No.	W30GF000/2		
DRG. REF.			
REVISION:	RR	DATE	02/05/03